

Bamboo Decking

Installation Manual

Remark: the decks in the picture are only for reference, the exact color should be subject to the actual products.

■ Material & Tools



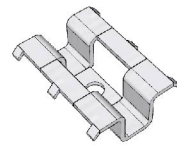
F311



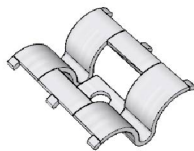
F321



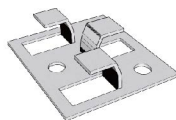
Joist



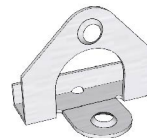
DC 05-1



DC 05-2



DC 07



DC 06



Stainless Screws



Electric Saw



Steel Tape



Spirit Level



Rubber Hammer

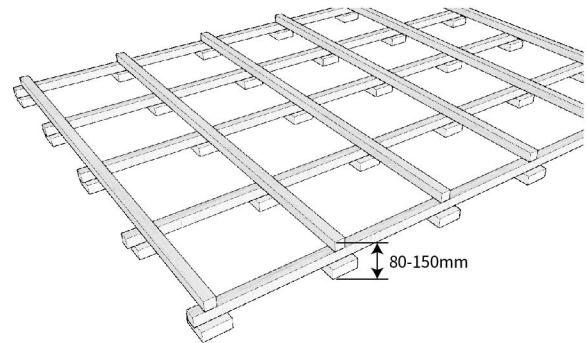
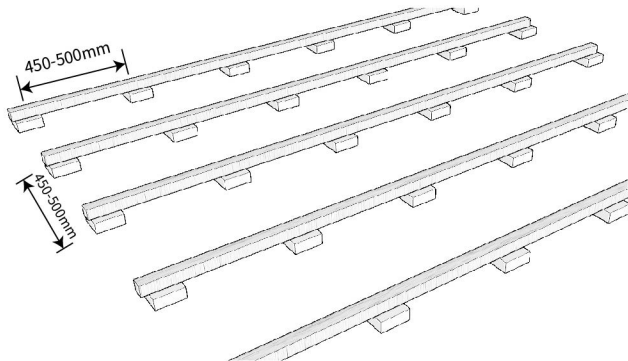


Electric Screw Driver

■ Consideration

- ❶ Before installing, please keep the products in dry and shade place, avoid the sunshine and the rain. Defects in surface caused by improper storage, is insufficient to cause customer complaint.
- ❷ Before installation, clean up the worksite, make sure the basic is flat and stable, the drainage is smooth and conforms with the requirement of the construction design.
- ❸ The joists should be fixed on stable cement-blocks or cement-tiles. Ensure decking slope 1-2 degrees from level in order to shed water.
- ❹ The distance between the joists must be between 450 to 500mm. By a deck of 1860mm length need min.5 joists.
- ❺ Distance from floor to the bottom of the decking should be 80-150mm.

■ Instructions



Minimum

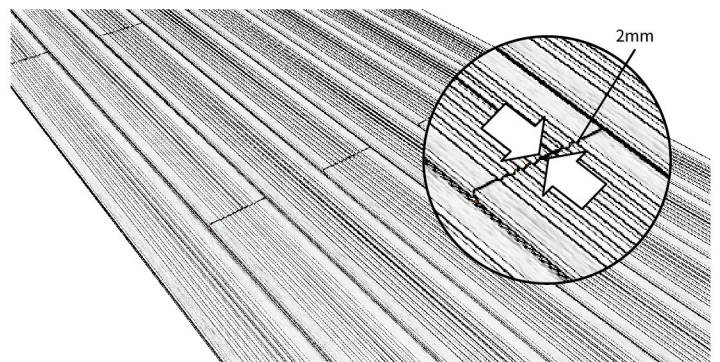
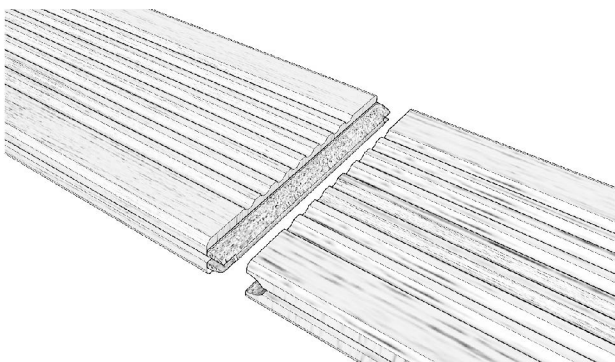
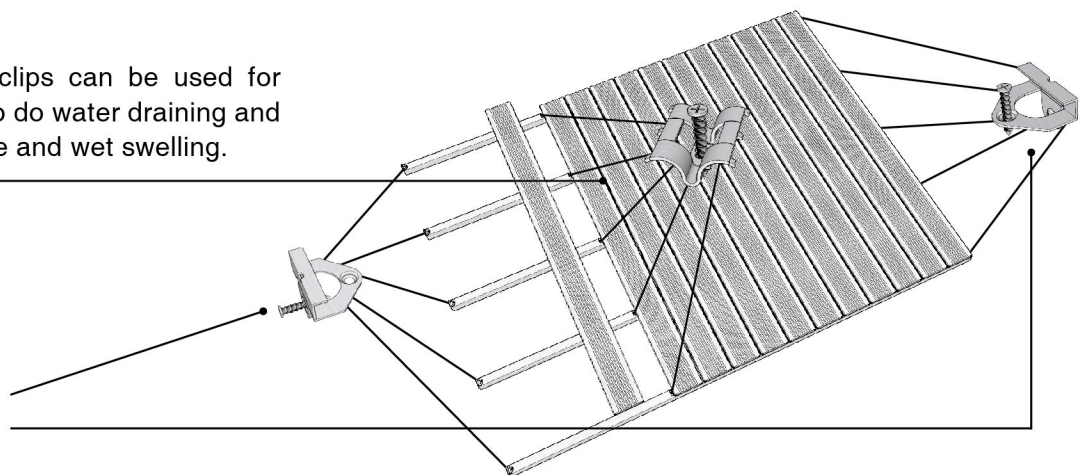
Cement-tiles under the joists

Professional

Use double-layer joists on cement-tiles for long-term stability

There are different clips can be used for installation in order to do water draining and prevent dry shrinkage and wet swelling.

You can use clip DC 06 for beginning and ending decks.

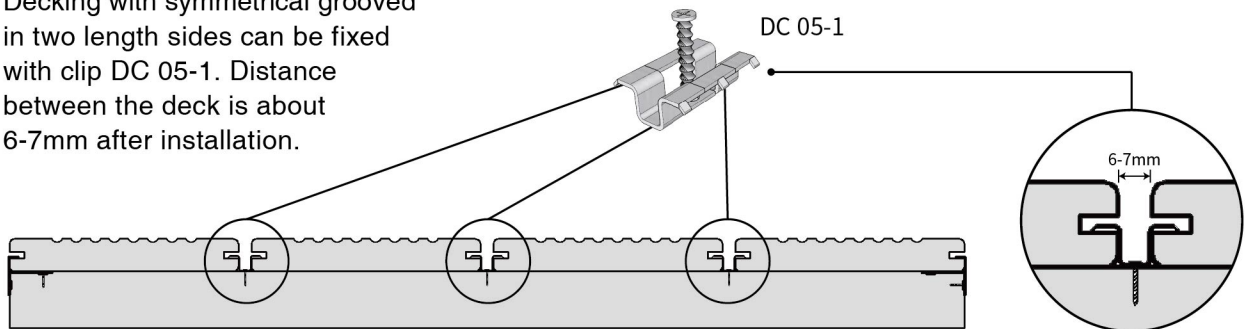


Deck with tongue & groove in head side is suggested.

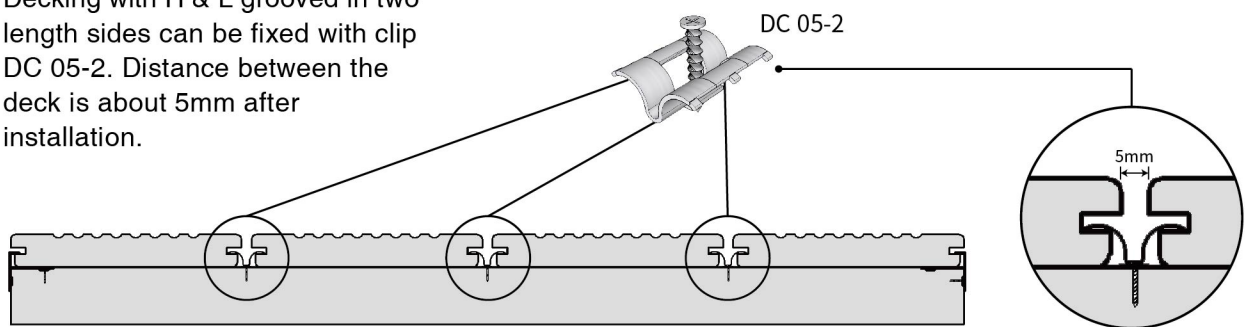
For deck without T&G, when head side connection is needed, please hold 2mm distance between.

■ Installation Methods

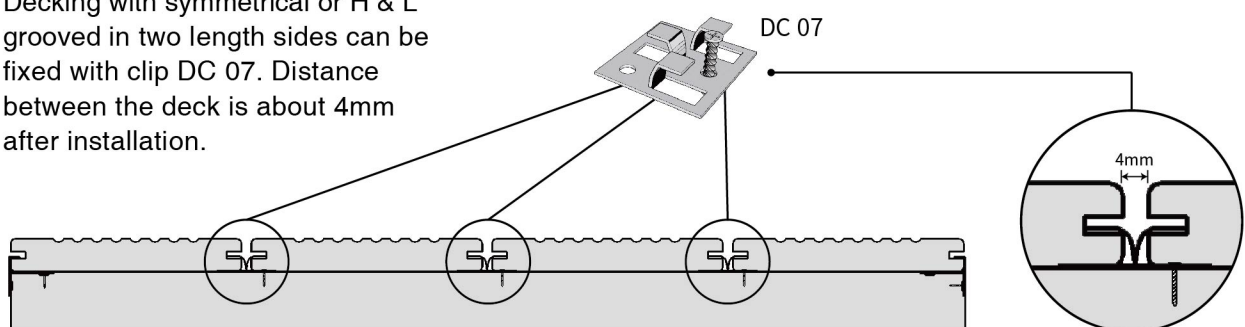
- ❶ Decking with symmetrical grooved in two length sides can be fixed with clip DC 05-1. Distance between the deck is about 6-7mm after installation.



- ❷ Decking with H & L grooved in two length sides can be fixed with clip DC 05-2. Distance between the deck is about 5mm after installation.



- ❸ Decking with symmetrical or H & L grooved in two length sides can be fixed with clip DC 07. Distance between the deck is about 4mm after installation.

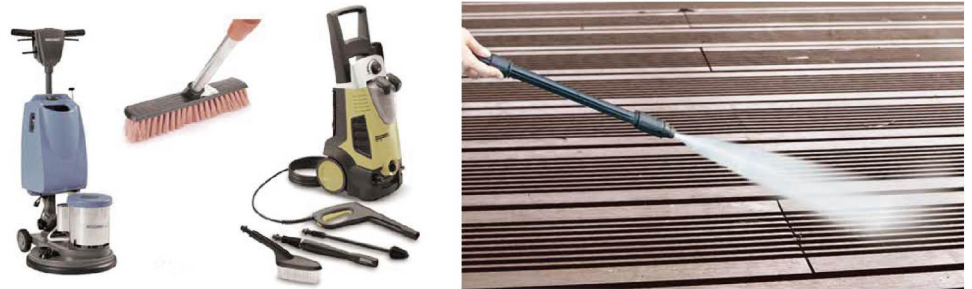


Bamboo Decking

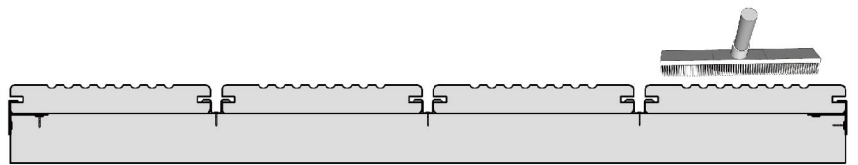
Maintenance Manual

First maintenance is required directly after installation, afterwards six months one time suggested. Apply outdoor water-based oil after cleaning up the surface.

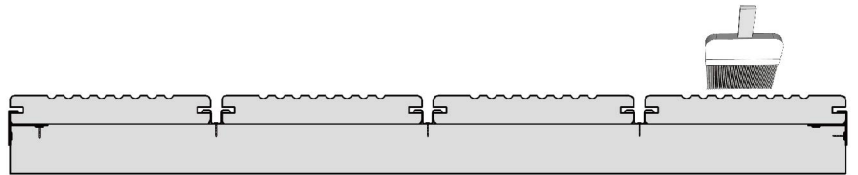
Select suitable tool for cleaning according to your decking scale.



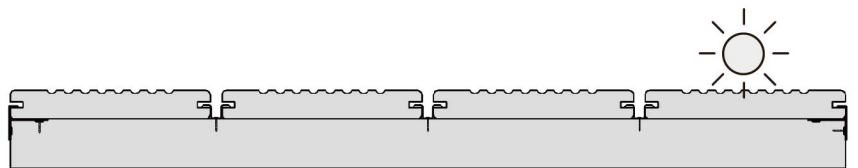
1
Clean the decking: wash it with water or use special cleaner to get rid of mud and dirt then clean it with brush.



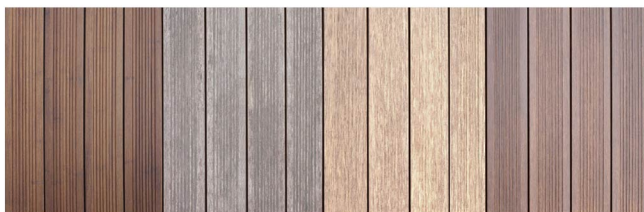
2
Make sure the decking get dry naturally and apply outdoor water-based oil.



3
Protect the maintained area until oil gets dry naturally.



■ M-Series



After Installation 2 Years After Use After Cleaning After Maintenance

■ D-Series



After Installation 2 Years After Use After Cleaning After Maintenance